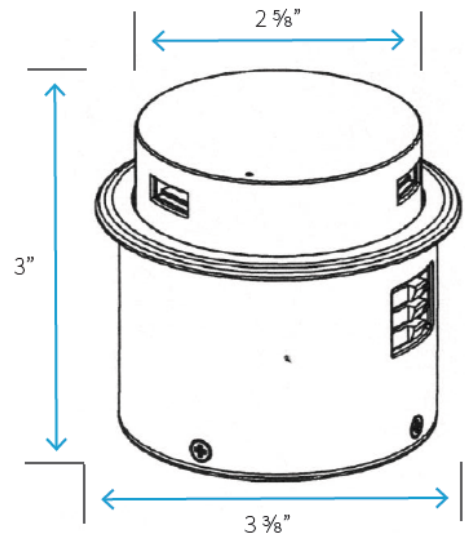


## Pop-Up Charging Module

# PU-B



### Key Features

**1. Input:**

DC 5V, 5A

**2. Output:**

Wireless charger  
5 watts max

**USB charger**

(2) - 1A (5 watts max)

(1) - 2.4A (12 watts max)

**3. UL Certified**

**4. Wireless charging distance:**

### Details

Height

3"

Diameter at base

3 3/8"

Diameter at top

2 5/8"

### Finishes



Black