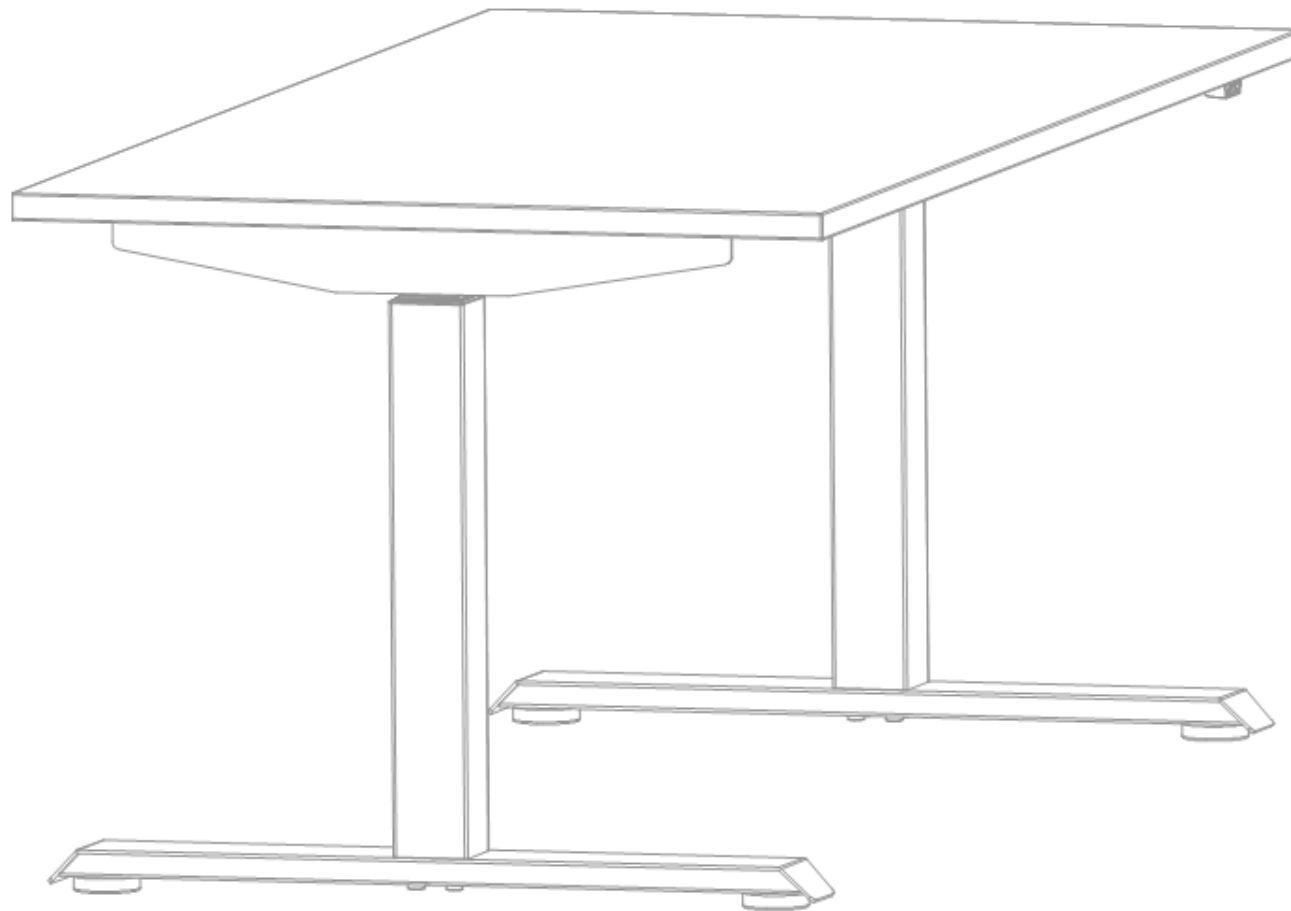
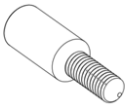



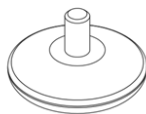



Assembly Instructions

Premium Two Leg Electric Adjustable Height Base

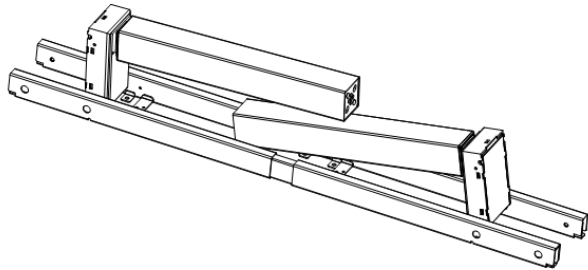


HARDWARE LIST AND REQUIRED TOOLS

Item	Number	Drawing	QTY	Tool
M6 X 15	A		4 PCS	5mm Allen Wrench
4 x 25 (Handset)	B		2 PCS	Cross-Head screw driver
5 x 20 (Wood Top)	C		18 PCS	Cross-Head screw driver
M10 x 35 (For Foot)	D		8 PCS	5mm Allen Wrench
Leveler	E		4 PCS	N/A
Tailstock screw (Pre-Installed)	F		4 PCS	4mm Allen Wrench

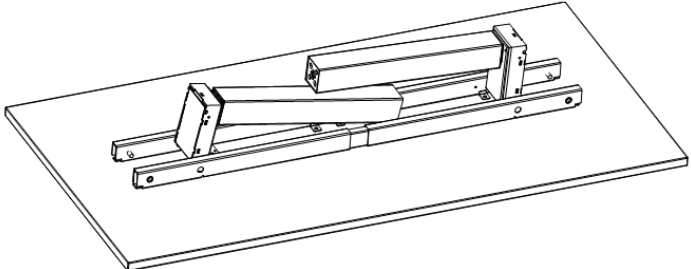
Step 1

Take the main frame out of the box



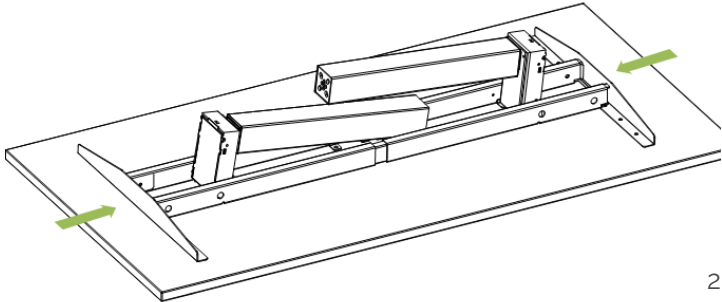
Step 2

Put the main frame on the back side of the wood top



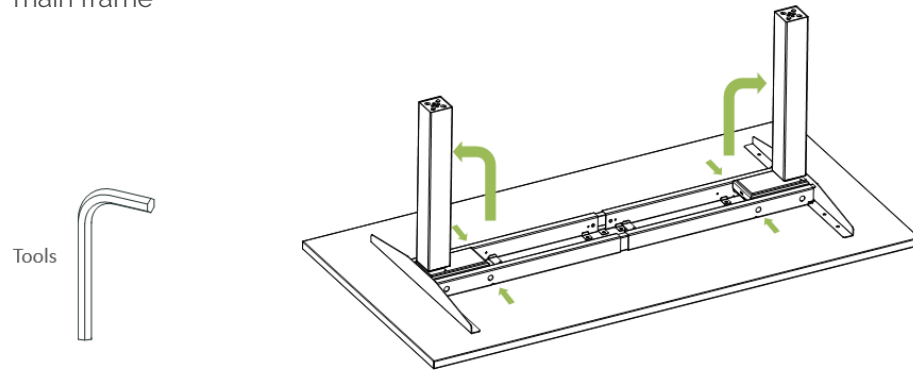
Step 3

Install the top side frame to the main frame



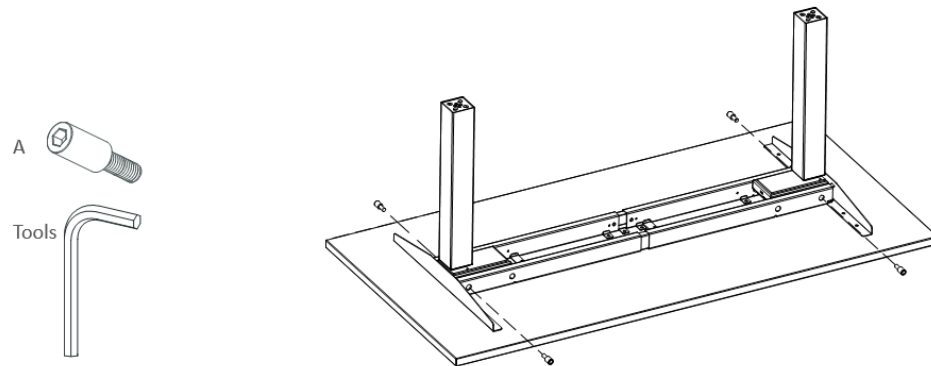
Step 4

Set the column straight, then tie up the screws inside the main frame



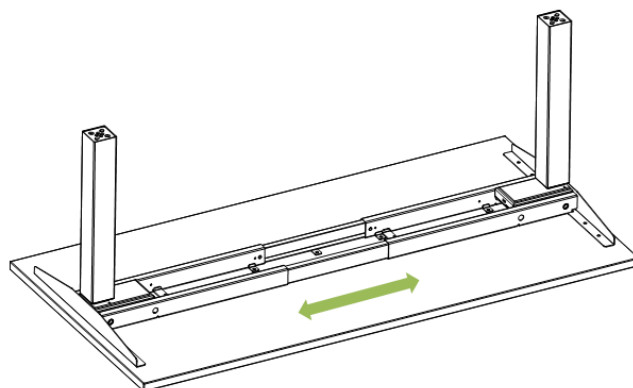
Step 5

Install "Screw A" - 4 pieces



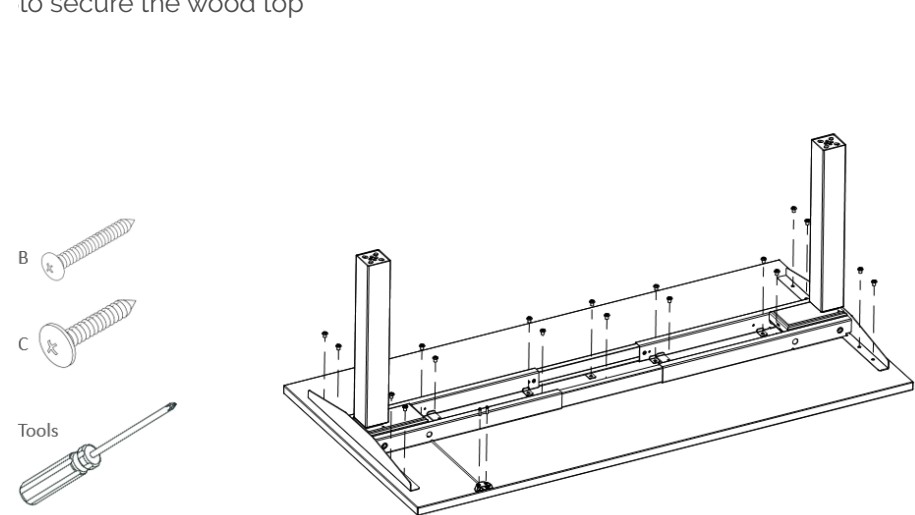
Step 6

Adjust the width to fit the wood top



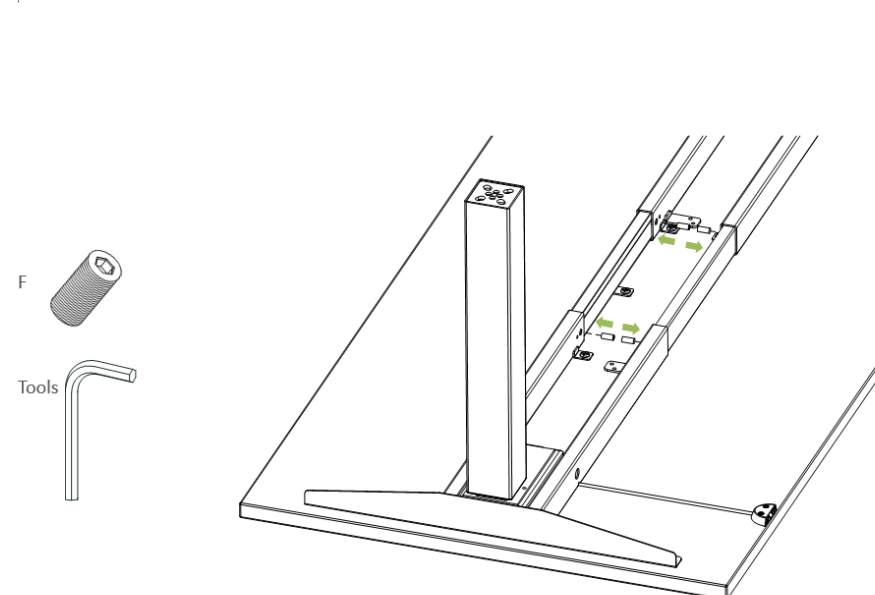
Step 7

Install the handset with "Screw B" - 2 pieces, then install "Screw C" - 14 pieces to secure the wood top



Step 8

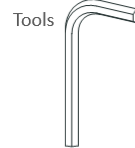
Tie up the Tailstock screws - 4 pieces- at the inner side of the main frame



Important

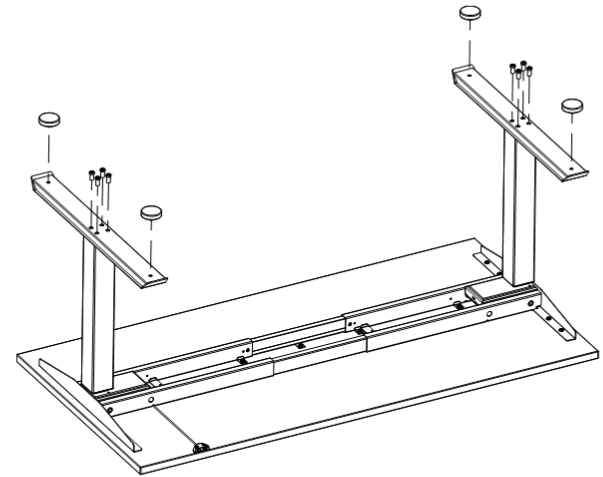
Reset/Initialize desk before use:

- Press and hold **↑** and **↓** for 3 seconds until desk is in lowest position, release buttons when control box makes sound
- Release buttons, initialization is complete



Step 9

Install the foots with "Screw D" - 8 pieces, then install the glides "Part E" - 4 pieces



Step 10

Flip over the table. Reset/Initialize prior to use

