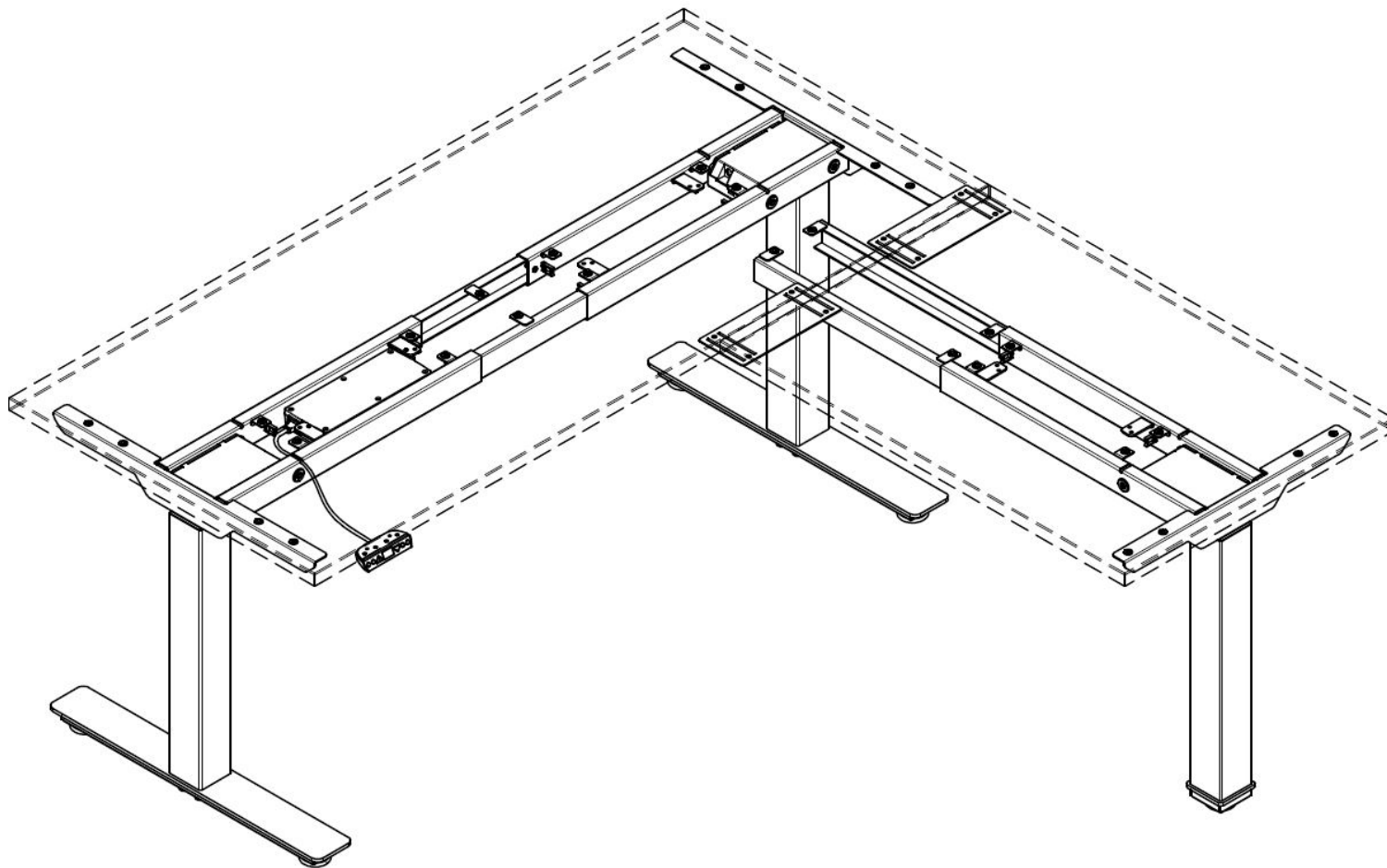
















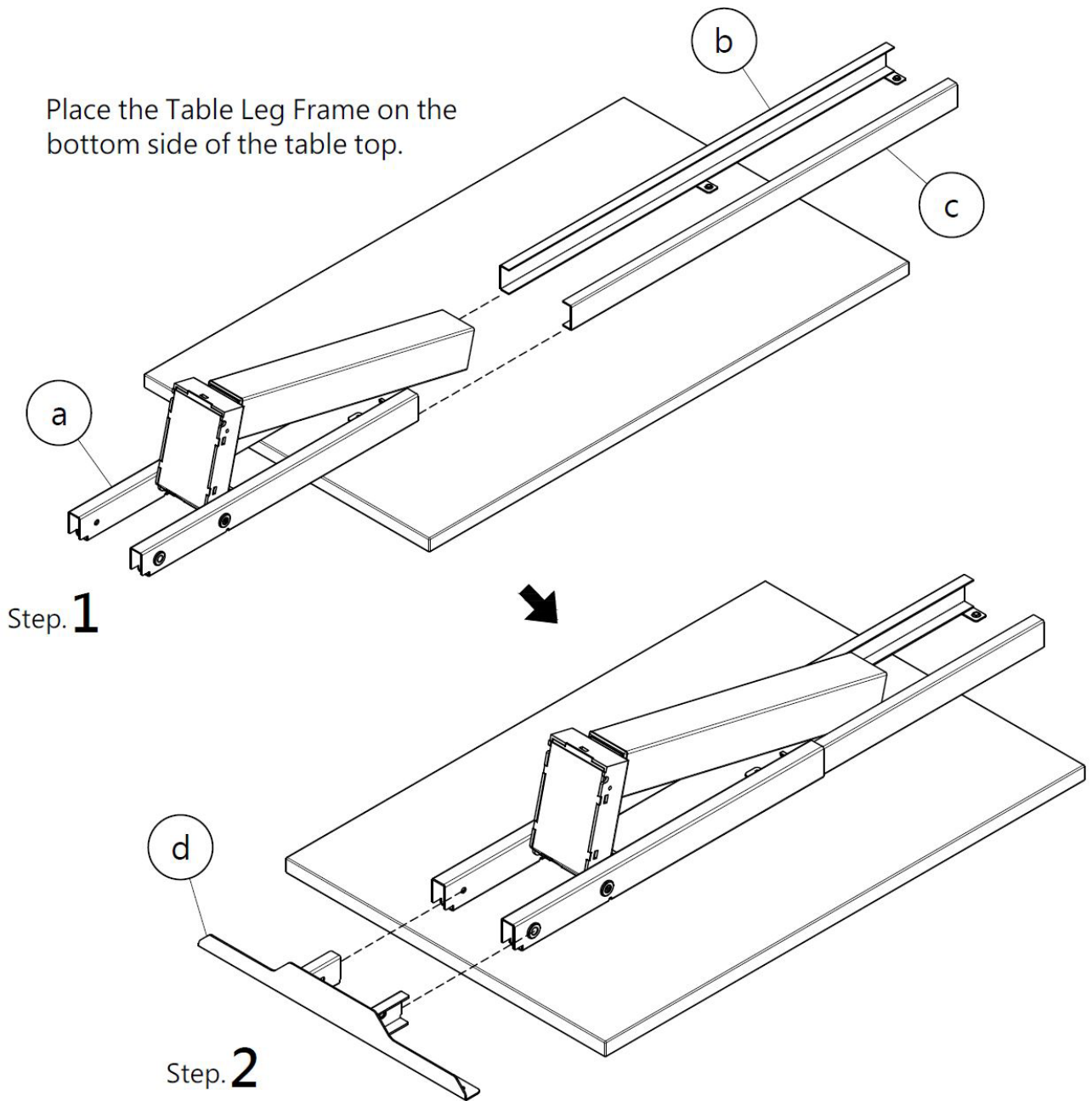


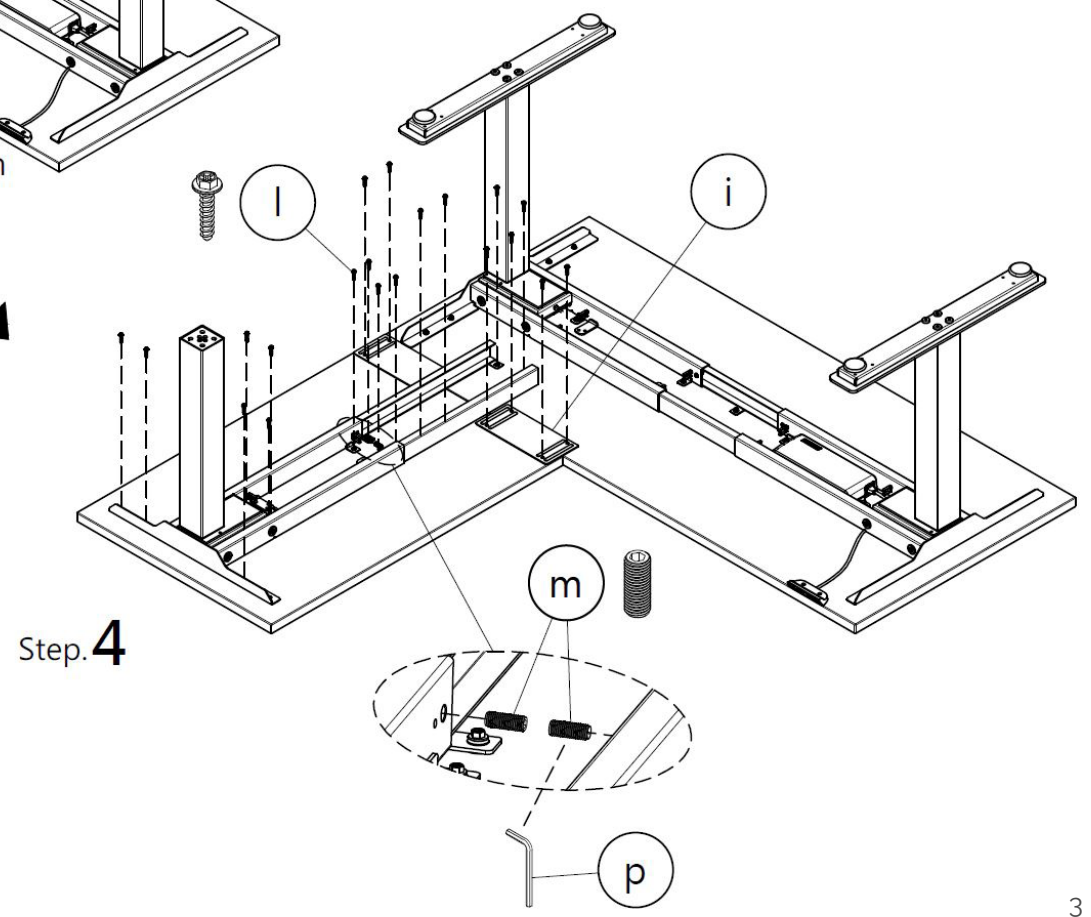
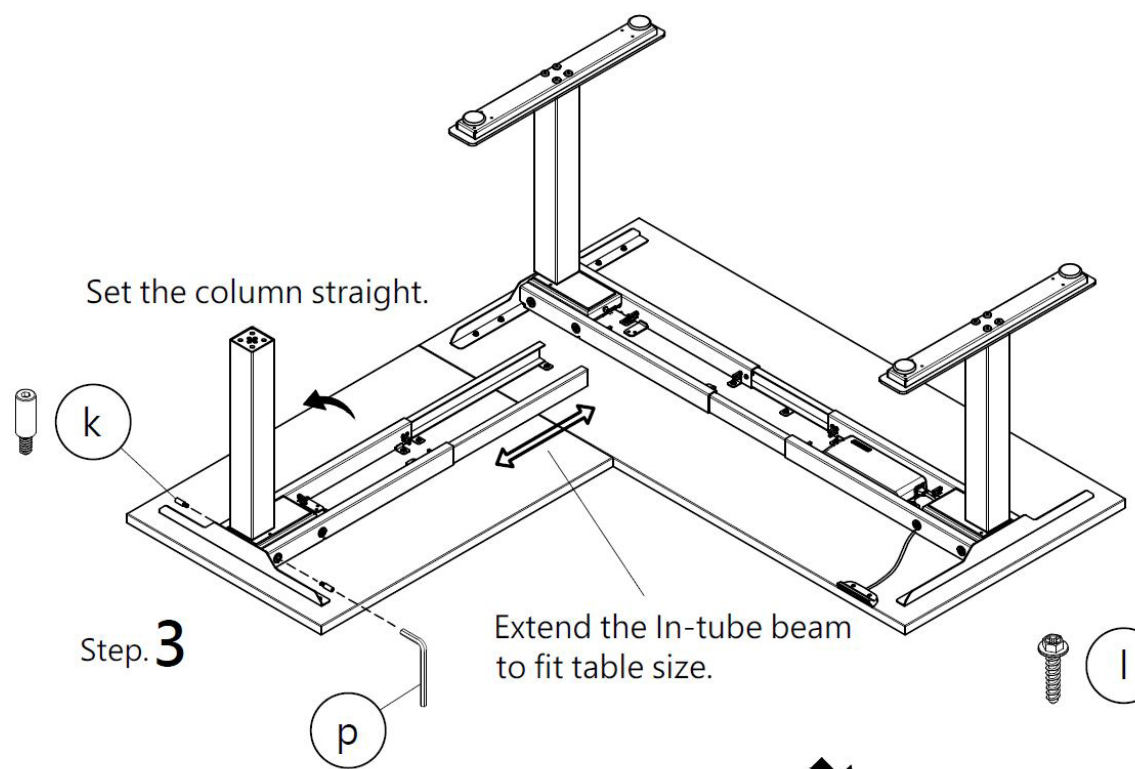
Assembly Instructions

Premium Three Leg Electric Adjustable Height Base



Parts List			
No.	Name	Drawing	QTY
a	Table Leg		1
b	In-tube beam (Right)		1
c	In-tube beam (Left)		1
d	Side Support		1
e	Center Post Base		1
f	Leveler		1
g	Control Box		1
h	Extension Cable		1
i	Desk Top Support Bracket		2
k	Screw M6x12		2
l	Screw 5x22		20
m	Screw M8x20		2
n	Screw M10x20		4
o	Screw M5x8		2
p	Allen Key 4		1
q	Allen Key 8		1

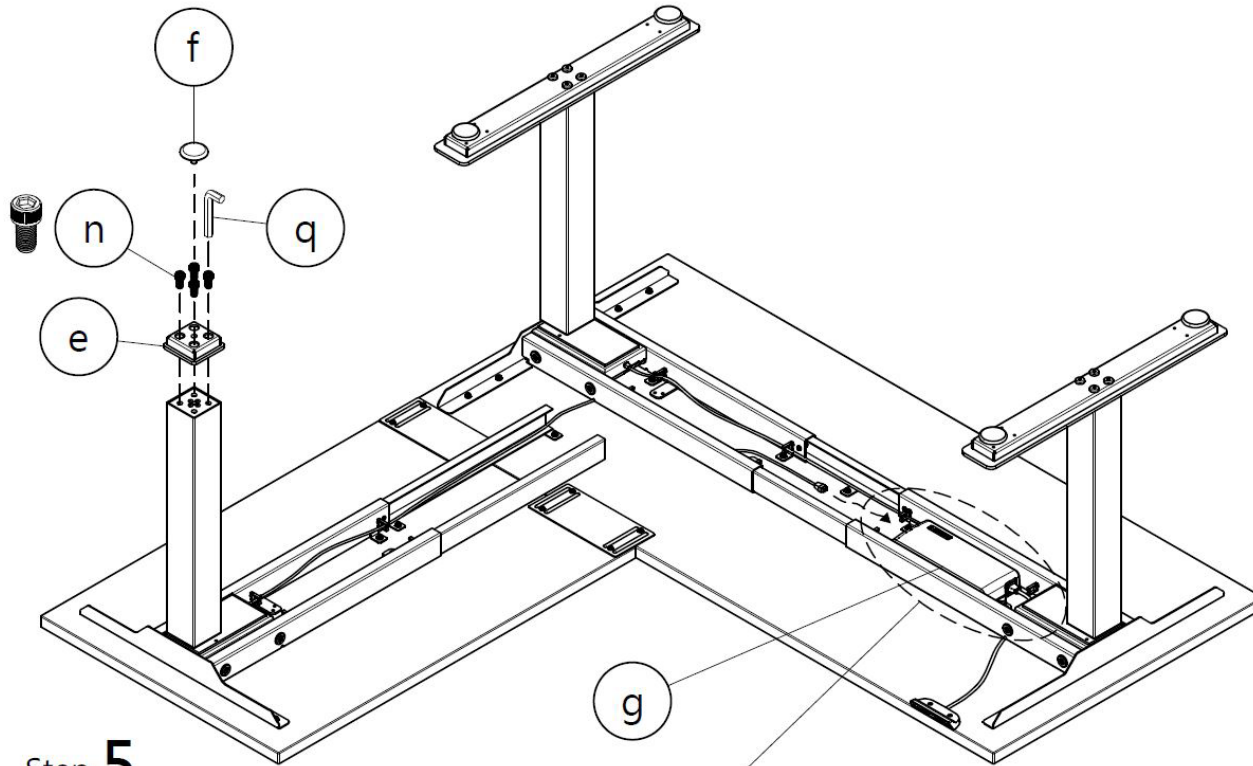




Important

Reset/Initialize desk before use:

- Press and hold **↑** and **↓** for 3 seconds until desk is in lowest position, release buttons when control box makes sound
- Release buttons, initialization is complete



Step. 5

Change Control Box.

